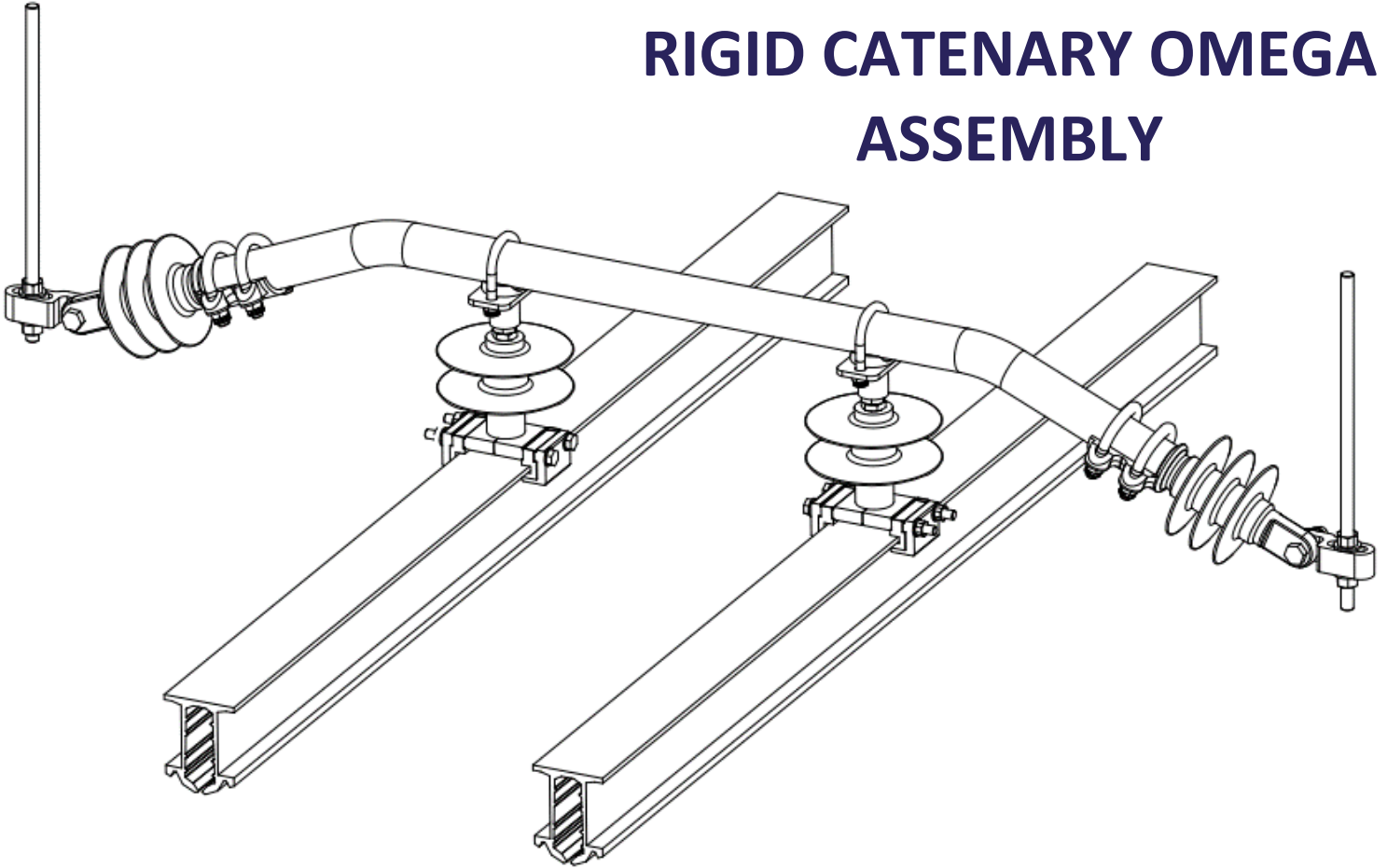


# RIGID CATENARY OMEGA ASSEMBLY



## Application

Rigid overhead catenary is mainly used today in tunnels, under bridges or maintenance workshop (with retractable rigid catenary option) for special applications where encumbrance is reduced to limit the tunnel cross sections which impacts direct the civil works budget.

OMEGA or STRAIGHT assembly is a modular assembly which let to instal and adjust rigid catenary in a compact environment.

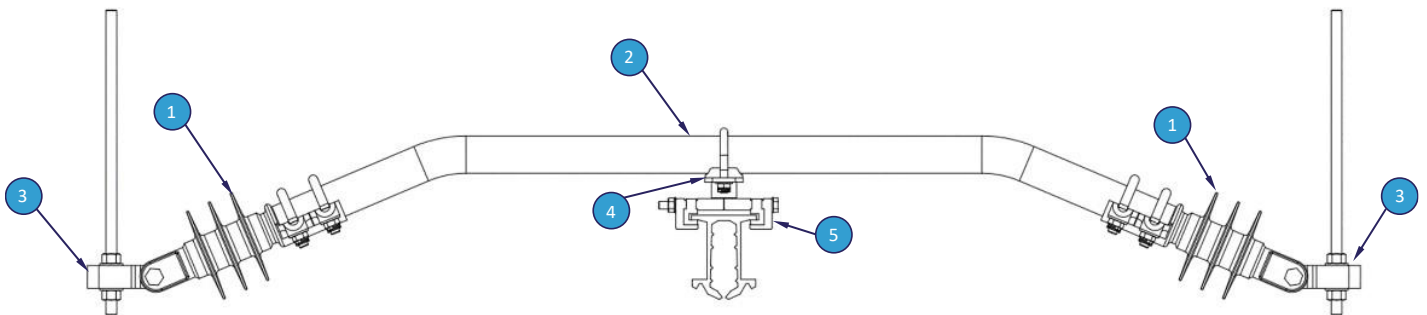
One or two rigid catenary profiles can be supported.

One of the advantages of this system is the possibility adjust the distance between the fixation points on-site cutting the cambered/straight tube.



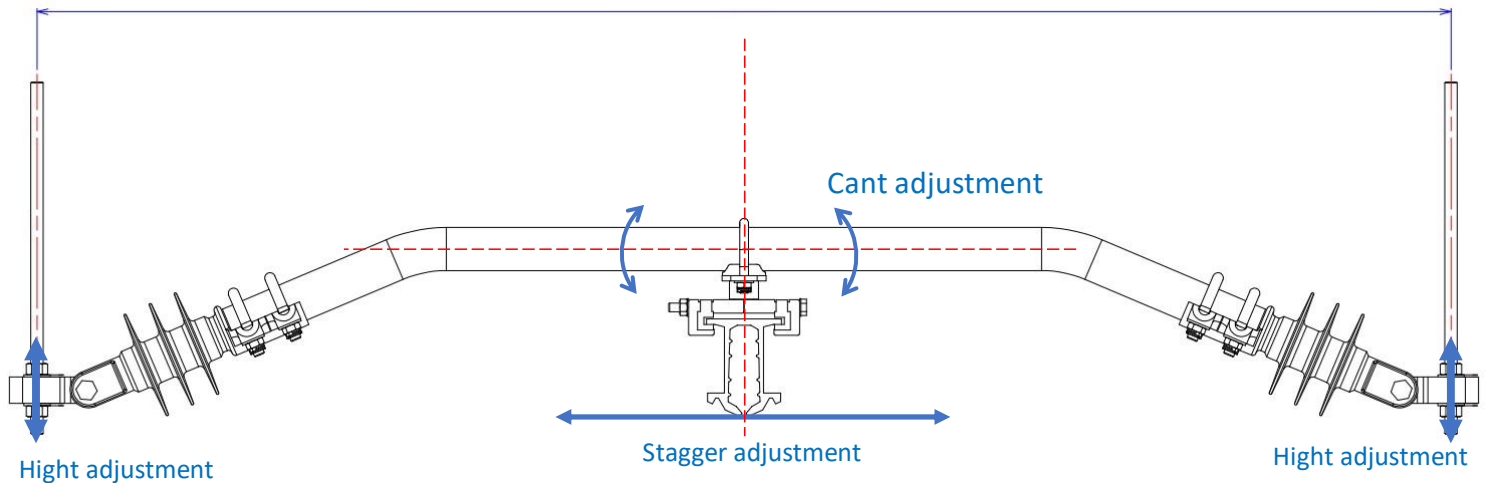
## Composition

Mark	Designation
1	Insulators with aluminium fittings
2	Two diameters of tubes are available Ø 49 in galvanized steel and Ø 60 in aluminium
3	Forged L fitting to fix and adjust the assembly on the infrastructure
4	Modular pull-off fitting insulated or not – height adjustable or not
5	Sliding or fixed suspension clamps



## Adjustments description

Adjustable distance up to 3960 mm with steel tube



## Product parameters

Parameters	Dimensions
Electrical insulation	750 V to 3 000 V
Pull-off fitting insulation	YES or NOT
Pull-off fitting height adjustment	YES or NOT
Suspensions clamp	Sliding or fixed
Suspension clamp variant	Dedicated or compatible with the two fixation variants
Tube geometry	Straight or cambered
Tube material	Galvanized steel or aluminium
Rigid catenary compatibility	With all the rigid catenary profiles
Cant adjustment	YES
Height adjustment	YES
Stagger adjustment	YES
Length adjustment	YES (in factory)
Tube camber adjustment	YES (in factory)

