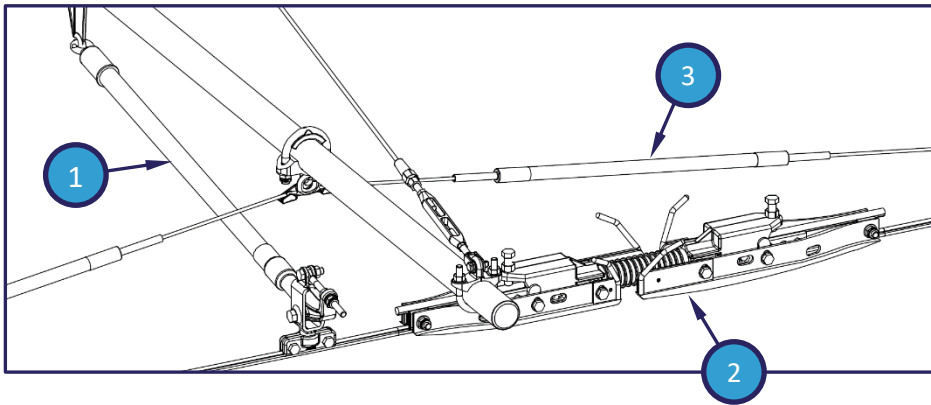
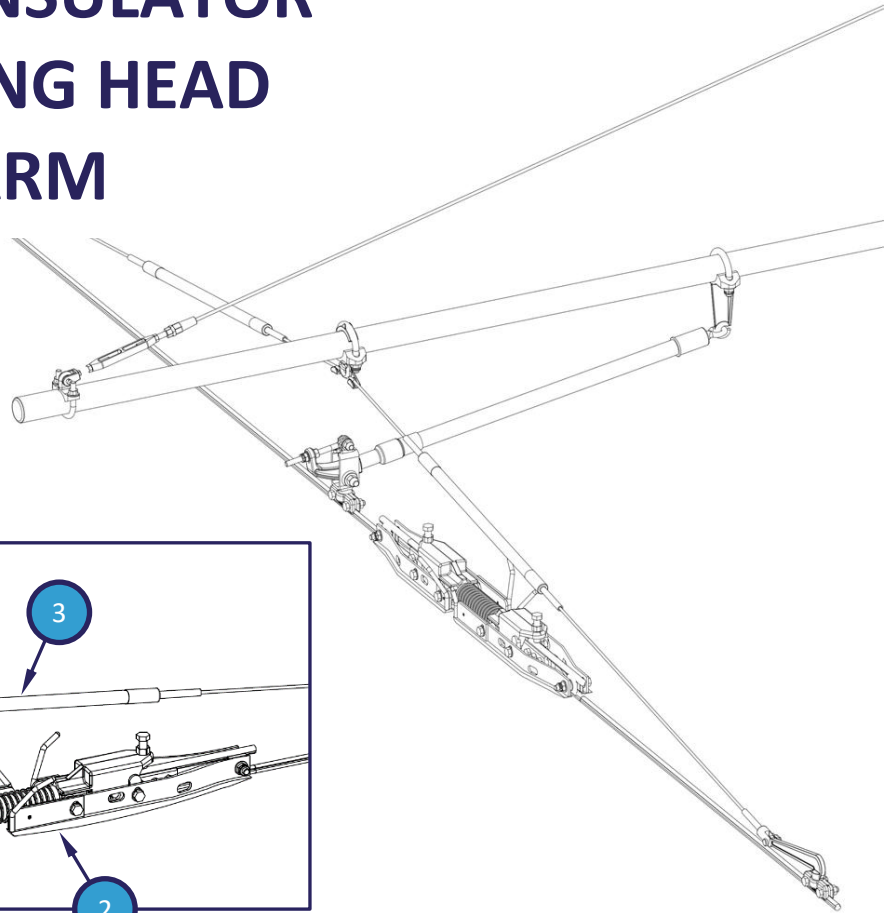


750V SECTION INSULATOR WITH SWIVELING HEAD STEADY ARM





Mark	Designation	Part number
1	Swiveling head insulated steady arm	JG2362
2	Section insulator	JG1646
3	Insulated stainless steel fixed delta assembly	JG2722/302

Application

Section insulators (S.I.) are used for the electrical segmentation of the catenary to divide the line in different sections for lines operation and maintenance.

This set-up with a swiveling head steady arm (recommended by GALLAND) ensures optimum cant adjustment of the S.I. for a better quality of crossing.

Steady arm description

-  Adjustable head in galvanized steel
-  Available on most of our steady arm references

