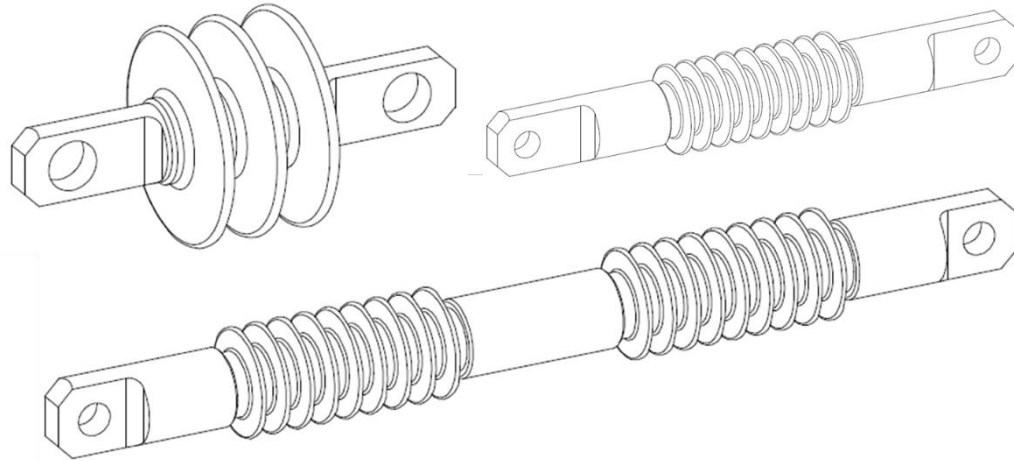


ANCHORING INSULATOR



Application

GALLAND designs and manufactures composite insulators. Those products have to keep mechanical and insulation characteristics during infrastructure life cycle. Our insulators are available separately or directly integrated to our assemblies (cantilever stay, anchoring...).

Description

- 750 V DC to 1500 V DC
- Stainless steel end fittings
- Fiberglass core with silicone housing
- Single or double insulation
- Range of center distance available

| Part number | Insulation | Creepage distance | Centre distance | Overall diameter |
|-------------|------------|-------------------|-------------------------|------------------|
| JG3754/Rep | Double | 2 x 223 mm | 365 mm min ^① | 42 mm |
| JG3757/Rep | Simple | 223 mm | 210 mm min ^② | 42 mm |
| JG3859/Rep | Simple | 200 mm | 140 mm | 90 mm |

^① See drawing JG3754 for more detail on dimensions available.

^② See drawing JG3757 for more detail on dimensions available.