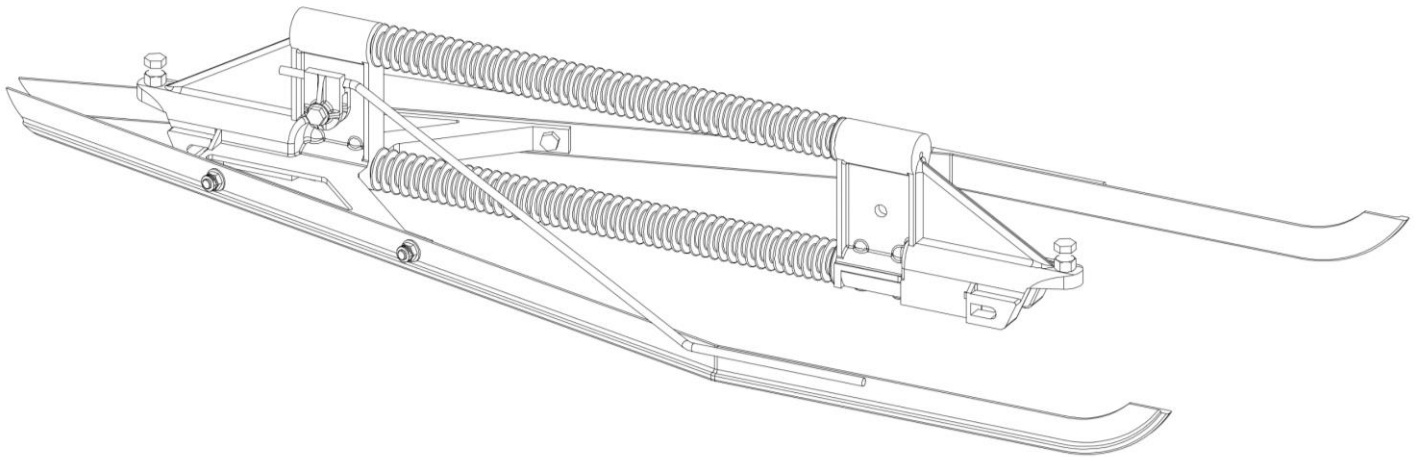


# 25 kV MID-SPEED SECTION INSULATOR



## Application

Section insulators (S.I.) are used for the electrical segmentation of the catenary to divide the line in different sections for lines operations and maintenance.

## Description

- Speed up to:
  - 160 km/h in preferential direction
  - 120 km/h in the opposite direction
- Mechanical and electrical continuity ensure during dynamic negotiation of the S.I. by the locomotive through metallic runners.
- For one contact wire (CW) in BC107, BC120 or BC150 sq.mm according to EN 50149. Alternatively, please contact us by sending design of clamping grooves, CW profile and available standard.
- Negotiation with a preferential way

## Reference

Creepage distance	1200 mm	JG2202/102
	1600 mm	JG3793/102