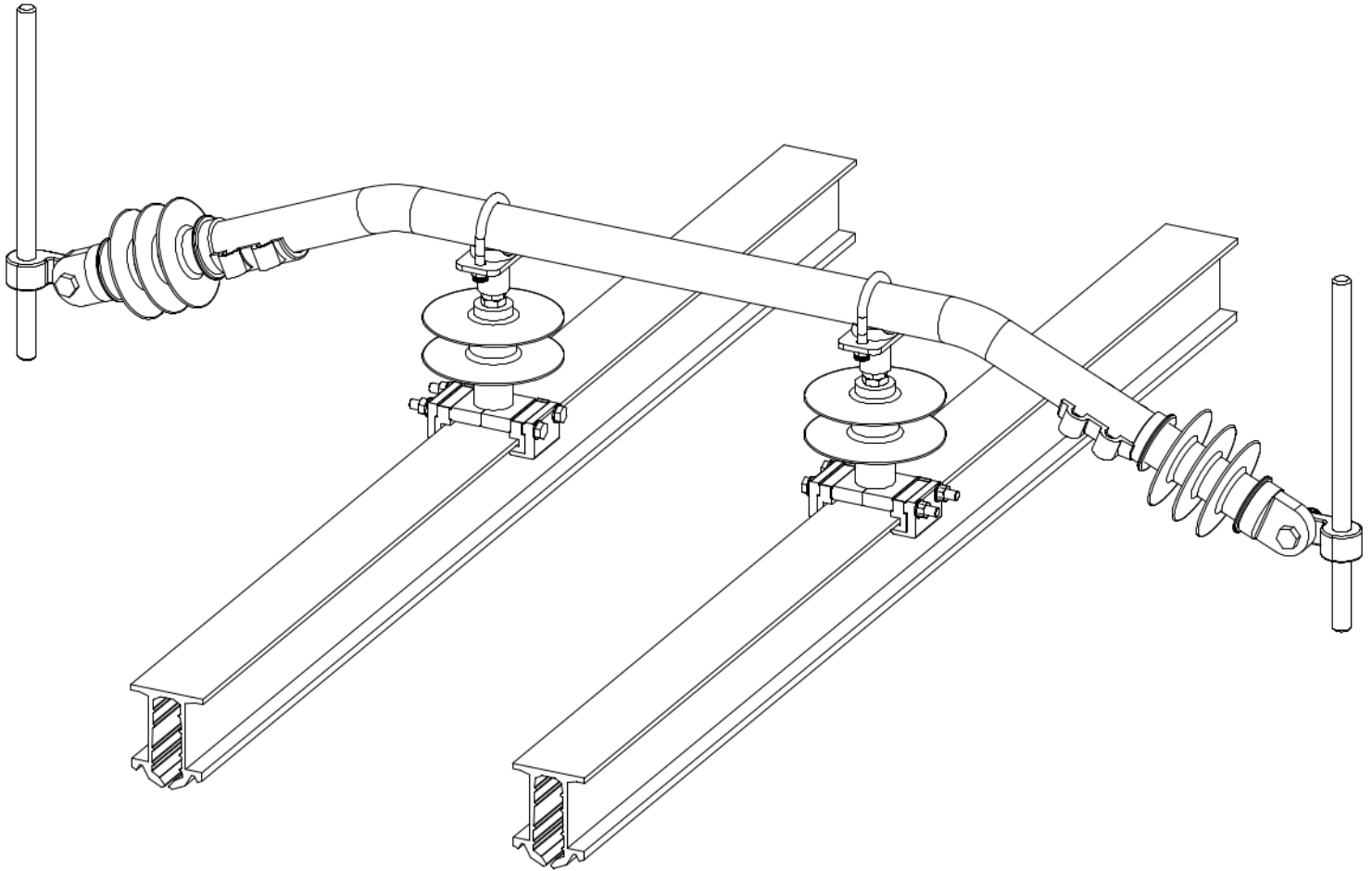


RIGID CATENARY OMEGA ASSEMBLY



Application

Rigid overhead catenary is mainly used today in tunnels, under bridges or maintenance workshop (with retractable rigid catenary option) for special applications where encumbrance is reduced to limit the tunnel cross sections which impacts direct the civil works budget.

OMEGA or STRAIGHT assembly is a modular assembly which let to instal and adjust rigid catenary in a compact environment.

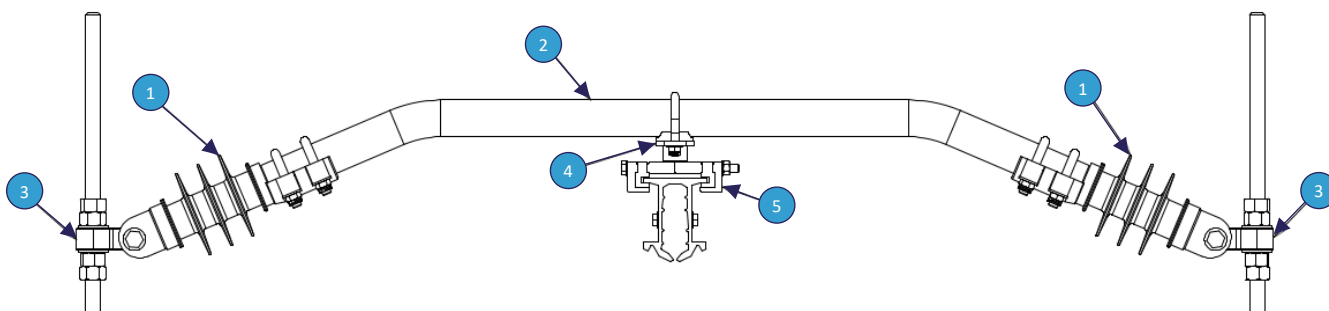
One or two rigid catenary profiles can be supported.

One of the advantages of this system is the possibility adjust the distance between the fixation points on-site cutting the bended/straight tube.

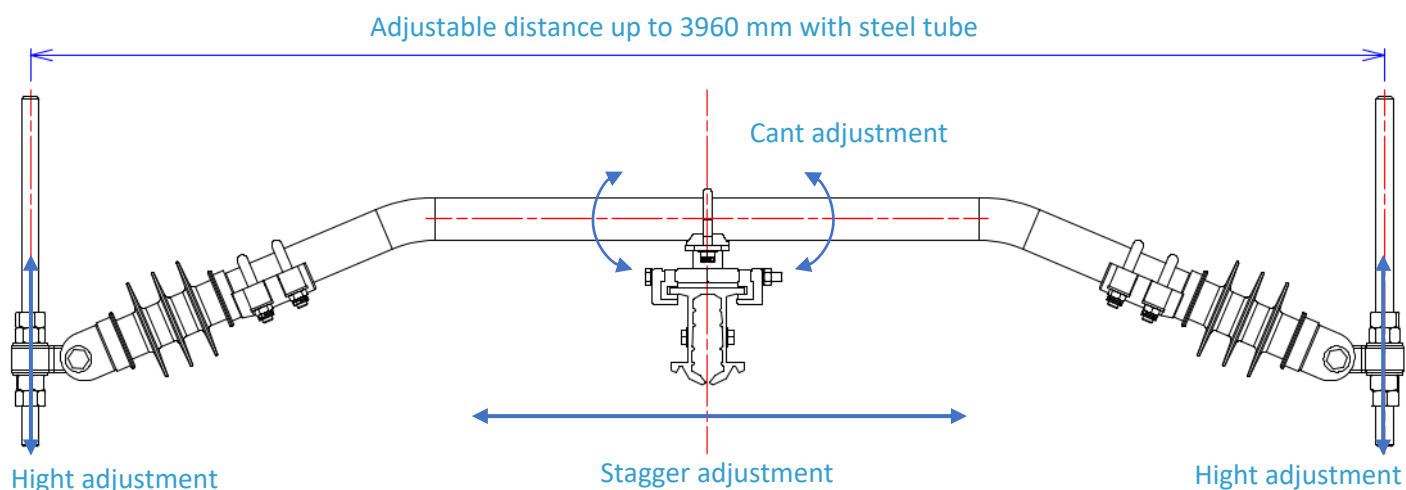
RIGID CATENARY OMEGA ASSEMBLY

Composition

Mark	Designation
1	Insulators with aluminium fittings
2	Two diameters of tubes are available \varnothing 49 in galvanized steel and \varnothing 60 in aluminium
3	Forged L fitting to fix and adjust the assembly on the infrastructure
4	Modular pull-off fitting insulated or not – height adjustable or not
5	Sliding or fixed suspension clamps



Adjustments description



RIGID CATENARY OMEGA ASSEMBLY

Product parameters

Parameters	Dimensions
Electrical insulation	750 V to 3 000 V
Pull-off fitting insulation	YES or NOT
Pull-off fitting height adjustment	YES or NOT
Suspensions clamp	Sliding or fixed
Suspension clamp variant	Dedicated or compatible with the two fixation variants
Tube geometry	Straight or bended
Tube material	Galvanized steel or aluminium
Rigid catenary compatibility	With all the rigid catenary profiles
Cant adjustment	YES
Height adjustment	YES
Stagger adjustment	YES
Length adjustment	YES (in factory)
Tube bend adjustment	YES (in factory)